

**Avco Lycoming** **TEXTRON****Williamsport Division**

Avco Lycoming/Subsidiary of Textron Inc.  
 652 Oliver Street  
 Williamsport, PA 17701  
 U.S.A.  
 5/30/86

**SERVICE  
INSTRUCTION**

DATE: April 10, 1987

Service Instruction No. 1110C  
 (Supersedes Service Instruction No. 1110B)  
 Engineering Aspects are  
 FAA Approved

SUBJECT: Replacement AC Fuel Pumps

MODELS AFFECTED: O-235, O-320, O-360 series engines (except with rear mounted horizontal carburetors). O-320-D1D, O-360-A1G6D, -A2G, -A4G, -A4J, -A4K; LO-A1G6D engines (with rear mounted horizontal carburetors). O-540 series engines.

TIME OF COMPLIANCE: During overhaul or anytime fuel pump is replaced.

Fuel pumps P/N LW-16335 or LW-15472, as shown in the following Table 3 replace P/N 75246 AC fuel pump installed in applicable Avco Lycoming engines.

Fuel pump P/N LW-16775 also shown in Table 3 is applicable to the O-360-F1A6 model engine only.

Because of the increased size of the new AC fuel pumps, certain engine models using P/N LW-16335 fuel pump with rear mounted carburetors must have the carburetor reworked to remove the back suction economizer boss. (If not already accomplished or prior to installation of new P/N LW-16335 fuel pump.) See Table 1. Using suitable equipment machine this boss as shown in Figure 1. Also, because of the increased size of the new fuel pump, certain dual magneto engine models must have the accessory housing reworked. See Table 2. Again, using suitable equipment, machine the boss on the accessory housing as shown in Figure 2.

**TABLE 1.**

Carburetor P/N's to be Reworked	Installed in Engine Models
LW-15957 LW-15958 LW-15959	O-360-A2G, -A4K, -A4G, -A4J O-320-D1D O-360-A1G6; LO-360-A1G6D

**TABLE 2.**

Dual Magneto Accessory Housing P/N's to be Reworked	Installed in Engine Models
LW-10886 LW-10894	O-360-A1G6D LO-360-A1G6D

**NOTE**

Service repair kits are not available for reconditioning AC fuel pumps. It is recommended that new fuel pumps be installed at engine major overhaul.

TABLE 3

NEW PUMPS	REPLACED PUMPS	ENGINE MODEL	SERIAL NUMBERS
LW-15472 (AC6441271)  Except 4 cylinder engines equipped with horizontal carburetors.	75246 (AC6440295)	O-235 Series O-320 Series O-360 Series O-540 Series	L-17872-15 and up L-48551-27A and up L-25898-36A and up L-20805-40A and up
4 Cylinder Engines with Horizontal Carburetors			
LW-16335 (AC6441452)	75246 (AC6440295)	O-320-D1D O-360-A1G6D O-360-A2G O-360-A4G O-360-A4J O-360-A4K LO-360-A1G6D	L-8900-39A and up L-26238-36A and up L-25170-36A and up L-20807-36A and up L-25300-36A and up L-26263-36A and up L-274-71A and up
LW-15472 (AC6441271) LW-16775 (AC6441617)*	75246 (AC6440295) LW-15472 (AC6441271)	O-360-F1A6 O-360-F1A6	L-25898-36A to L-29508-36A incl. L-29547-36A and up

\* Incorporates reversed inlet and outlet ports.

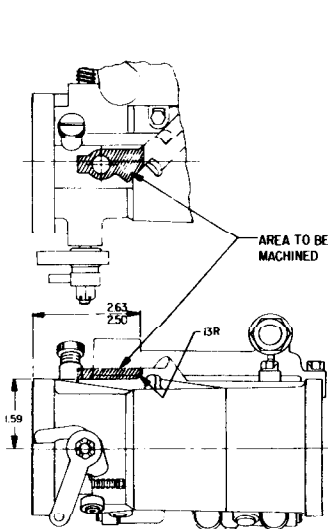


Figure 1.  
Carburetor Showing Area to be Machined

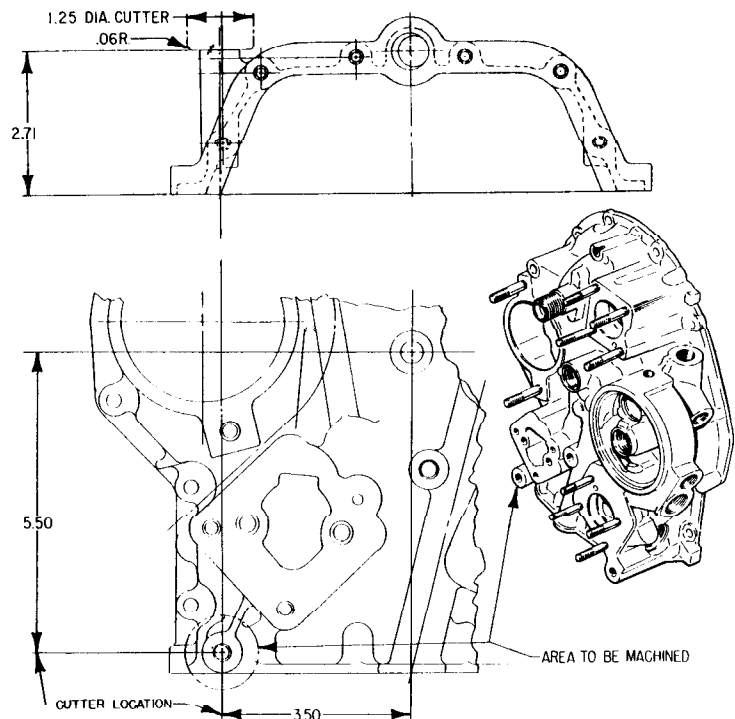


Figure 2.  
Accessory Housing Showing Area to be Machined

NOTE: Revision "C" revises text; adds new fuel pump and new engine models.  
20263-B, 20263-C, 20263-F — These numbers for Avco Lycoming Textron reference only.