

**System Support Manual  
S20/S-200 MAGNETO IGNITION SYSTEM**

**SECTION 11. ILLUSTRATED PARTS LIST**

**TABLE 1101: EQUIPMENT COVERED**

PART NUMBER	TYPE NUMBER	DEGREES LAG/RETARD	USE TERMINAL KIT P/N	SEE PARTS LIST TABLE
10-51360-26	S4LN-21	25	10-52305	1103
10-51360-27	S4RN-20	--	10-52305	1103
10-51360-28	S4RN-21	25	10-52305	1103
10-51360-29	S4LN-20	--	10-52305	1103
10-51360-37	S4LN-21	25	10-52305	1103
10-51360-40	S4RN-20	--	10-52305	1103
10-51360-41	S4RN-21	25	10-52305	1103
10-51360-45	S4LN-21	25	10-157209	1103
10-51360-46	S4RN-21	25	10-52305	1103
10-51360-47	S4LN-21	25	10-157209	1103
10-51360-54	S4LN-21	15	10-52305	1103
10-51360-58	S4LN-21	15	10-157209	1103
10-51365-9	S6LN-21	45	10-52305	1104
10-51365-32	S6LN-21	45	10-52305	1104
10-51365-33	S6LN-20	--	10-52305	1104
10-51365-34	S6RN-21	35	10-52305	1104
10-51365-35	S6RN-21	45	10-52305	1104
10-51365-39	S6LN-21	45	10-52305	1104
10-51365-40	S6RN-21	35	10-52305	1104
10-51365-43	S6LN-21	45	10-52305	1104
10-51365-44	S6LN-20	--	10-52305	1104
10-51365-45	S6LN-21	35	10-52305	1104
10-51365-46	S6LN-20	--	10-52305	1104
10-51365-47	S6LN-21	45	10-52305	1104
10-51365-48	S6RN-21	35	10-52305	1104
10-51365-54	S6RN-21	35	10-52305	1104
10-51365-57	S6LN-21	45	10-157209	1104
10-52350-20	S6LN-23	35	10-52305	1104
10-79020-6	S6LN-25	30	10-52305	1105
10-79020-10	S6RN-25	30	10-52305	1105
10-79020-11	S6LN-25	30	10-157209	1105
10-79020-16	S6LN-25	30	10-52305	1105
10-79020-17	S6LN-25	30	10-157209	1105
10-79020-18	S6LN-25	30	10-157209	1105
10-79020-19	S6RN-25	30	10-157209	1105
10-79020-118	S6LN-25P	30	10-382814	1105
10-79020-119	S6RN-25P	30	10-382814	1105
10-163005-2	S4LN-200	25	10-157208 & 10-157209	1106
10-163005-3	S4LN-200	25	10-157208 & 10-157209	1106
10-163005-11	S4LN-200	15	10-157208 & 10-157209	1106
10-163010-1	S6RN-200	30	10-157208 & 10-157209	1107
10-163010-2	S6LN-200	30	10-157208 & 10-157209	1107
10-163010-10	S6LN-200	37.5	10-157208 & 10-157209	1107
10-163010-11	S6LN-200	30	10-157208 & 10-157209	1107
10-163010-15	S6RN-200	25	10-157208 & 10-157209	1107
10-163015-3	S4RN-201	20	10-157208 & 10-157209	1106
10-163020-3	S6RN-201	30	10-157208 & 10-157209	1107
10-163020-4	S6LN-201	30	10-157208 & 10-157209	1107
10-163045-1	S4LN-204	--	10-157209	1106
10-163045-3	S4LN-204	--	10-157209	1106
10-163045-6	S4LN-204	--	10-157209	1106
10-163050-1	S6LN-204	--	10-157209	1107

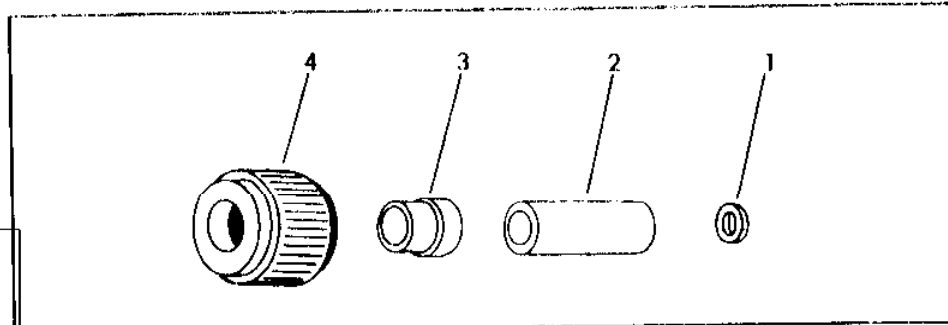
**System Support Manual  
S20/S-200 MAGNETO IGNITION SYSTEM**

**TABLE 1101: EQUIPMENT COVERED (CONTINUED)**

<b>PART NUMBER</b>	<b>TYPE NUMBER</b>	<b>DEGREES LAG/RETARD</b>	<b>USE TERMINAL KIT P/N</b>	<b>SEE PARTS LIST TABLE</b>
10-163050-2	S6LN-204	--	10-157209	1107
10-163050-7	S6RN-204	--	10-157209	1107
10-163050-9	S6LN-204	--	10-157209	1107
10-163050-12	S6LN-204	--	10-157209	1107
10-163055-1	S4RN-205	--	10-157209	1106
10-163060-1	S6RN-205	--	10-157209	1107
10-163060-2	S6LN-205	--	10-157209	1107
10-500514-1	S4LSC-21	25	--	1108
10-500514-2	S4LSC-21	15	--	1108
10-500514-3	S4RSC-21	25	--	1108
10-500514-4	S4RSC-21	25	--	1108
10-500514-5	S4RSC-21	25	--	1108
10-500514-201	S4LSC-211	25	--	1108
10-500516-2	S6LSC-21	45	--	1109
10-500516-3	S6LSC-21	45	--	1109
10-500516-4	S6LSC-21	45	--	1109
10-500516-5	S6RSC-21	35	--	1109
10-500516-6	S6RSC-21	45	--	1109
10-500516-7	S6RSC-21	45	--	1109
10-500516-9	S6RSC-21	35	--	1109
10-500516-10	S6LSC-21	45	--	1109
10-500556-1	S6RSC-25	30	--	1109
10-500556-3	S6LSC-25	30	--	1109
10-500556-101	S6RSC-25P	30	--	1109
10-500556-103	S6LSC-25P	30	--	1109
10-500556-203	S6LSC-25T	30	--	1109
10-500556-901	S6RSC-25P	30	--	1109
10-600604-1	S4RSC-201	20	--	1108
10-600606-1	S6RSC-201	30	--	1110
10-600606-3	S6LSC-201	30	--	1110
10-600614-1	S4LSC-200	25	--	1108
10-600614-2	S4LSC-200	15	--	1108
10-600614-3	S4LSC-200	25	--	1108
10-600616-3	S6LSC-200	37.5	--	1110
10-600616-4	S6RSC-200	30	--	1110
10-600616-5	S6LSC-200	30	--	1110
10-600616-6	S6LSC-200	30	--	1110
10-600616-7	S6RSC-200	25	--	1110
10-600616-101	S6LSC-200P	30	--	1110
10-600644-1	S4LSC-204	--	--	1108
10-600644-3	S4RSC-204	--	--	1108
10-600644-4	S4LSC-204	--	--	1108
10-600644-5	S4RSC-204	--	--	1108
10-600644-201	S4LSC-204T	--	--	1108
10-600646-1	S6LSC-204	--	--	1110
10-600646-2	S6LSC-204	--	--	1110
10-600646-3	S6LSC-204	--	--	1110
10-600646-4	S6RSC-204	--	--	1110
10-600646-101	S6LSC-204P	--	--	1110
10-600646-201	S6LSC-204T	--	--	1110
10-600654-1	S4RSC-205	--	--	1108
10-600656-1	S6RSC-205	--	--	1110
10-600656-3	S6LSC-205	--	--	1110

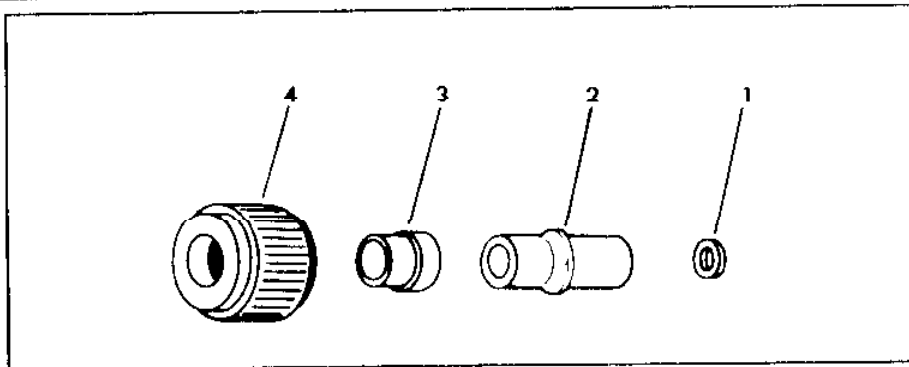
D-3000 SERIES TERMINAL KITS

10-157208  
is small one



IPL Figure 3. Magneto Terminal Kit, Non-Pressurized Magnetos

Fig. & Index No.	Part Number	Description	Code		
				Usage Code	Quantity Required
3	10-157208	KIT, Magneto Retard Terminal	A		
	10-157209	KIT, Magneto Tach. Terminal	B		
	10-362090	KIT, Magneto Switch	C		
3-1	10-77092	WASHER, Flat		A, B, C	1
3-2	10-157212	BUSHING, Insulated		A, B	1
	10-382697	BUSHING, Insulated		C	1
3-3	10-157213	BUSHING, Shouldered		A, B, C	1
3-4	10-157210	NUT, Coupling, 0.3750-32		A	1
	10-157211	NUT, Coupling, 0.4375-28		B, C	1



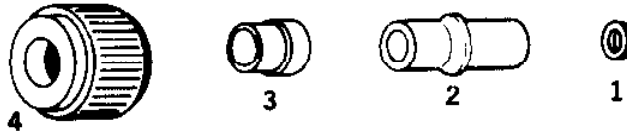
IPL Figure 4. Magneto Terminal Kit, Pressurized Magnetos

Fig. & Index No.	Part Number	Description	Code		
				Usage Code	Quantity Required
4	10-382813	KIT, Magneto Retard Terminal	A		
	10-382698	KIT, Magneto Switch	B		
4-1	10-77092	WASHER, Flat		A, B	1
4-2	10-382812	INSULATOR, Tach and Retard Lead		A	1
	10-382697	BUSHING, Insulated		B	1
4-3	10-157213	BUSHING, Shouldered		A, B	1
4-4	10-157210	NUT, Coupling, 0.3750-32		A	1
	10-157211	NUT, Coupling, 0.4375-28		B	1

# DIX MAGNETOS (cont'd)

## 2000, D-2200 SERIES TERMINAL KITS, PRESSURIZED MAGNETO

Typical Magneto Terminal Kit, Pressurized Magnetos

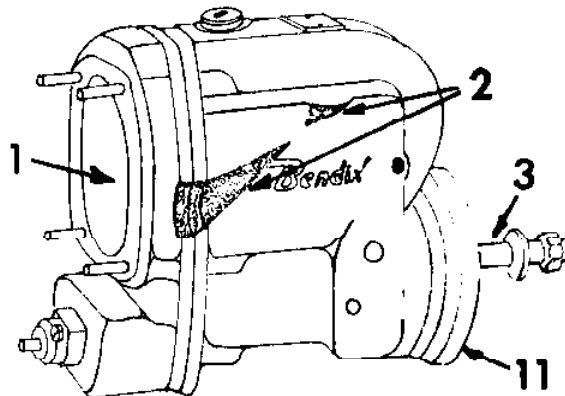
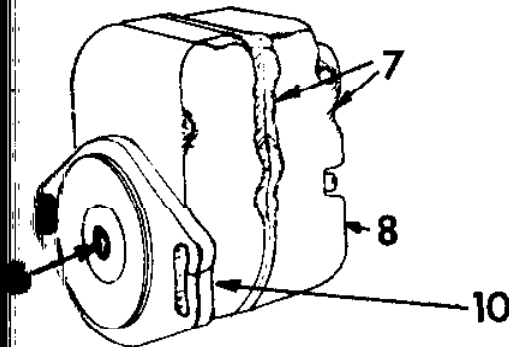


- 1 RETARD TERMINAL
- 2 TACH TERMINAL
- 3 SWITCH

Illus.	Part Number	Description	Usage Code	Quantity Required
	10-382813	KIT, Magneto Retard Terminal		
	10-382814	KIT, Magneto Tach Terminal		
	10-382698	KIT, Magneto Switch		
-1-	10-77092	WASHER, Flat		1
-2-	10-382812	INSULATOR, Tach. and Retard Lead		1
	10-382607	RUSHING, Insulated	C	1
-3-	10-157213	Bushing, Shouldered		1
-4-	10-157210	NUT, Coupling, 0.3750-32	A	1
	10-157211	NUT, Coupling, 0.4375-28	B, C	1

## Bendix Blue Label Factory Remanufactured Magnetos

Charges for damaged or missing parts of trade-in:



### DEDUCTION FROM CORE ALLOWANCE FOR DAMAGED OR MISSING PARTS

	S-20	S-200	S-1200	D-2000
Magnet				
Magneto Housing				
Coupling				
Distributor Housing				
Plate				
Rotors				
Breaker Cover				
Distributor Assy.				

D-2000 Series capacitors must be removed from harness outlet assembly and returned with magneto.

### SCHEDULE OF DEDUCTIONS

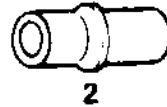
#### Ref. Discrepancy

1. Gear and Block missing.
2. Housing & Cover "channelled" due to chafing.
3. Impulse Coupling or Drive Plate (if used) missing.
4. Magnet Shaft threads crossed, mutilated or "mushroomed".
5. Magnet Shaft bent.
6. Empty Housing (major parts missing).
7. Badly damaged by fire.
8. Breaker Cover & Capacitor missing.
9. Shaft Threads worn off or missing.
10. Magneto dropped. Flange ears bent or cracked.
11. Flange (if used) missing.

ENGINES & ACC

# 2000, D-2200 SERIES TERMINAL KITS, RESSURIZED MAGNETO

Typical Magneto Terminal Kit,  
Pressurized Magnetos



**A. RETARD TERMINAL**  
**B. TACH TERMINAL**  
**C. SWITCH**

Illus.	Part Number	Description	Usage Code	Quantity Required
	10-382813	KIT, Magneto Retard Terminal		
	10-382814	KIT, Magneto Tach Terminal		
	10-382698	KIT, Magneto Switch		1
-1	10-77092	WASHER, Flat		1
-2	10-382812	INSULATOR, Tach. and Retard Lead	C	1
	10-382697	BUSHING, Insulated		1
-3	10-157213	Bushing, Shouldered		1
-4	10-157210	NUT, Coupling, 0.3750-32	A	1
	10-157211	NUT, Coupling, 0.4375-28	B, C	1